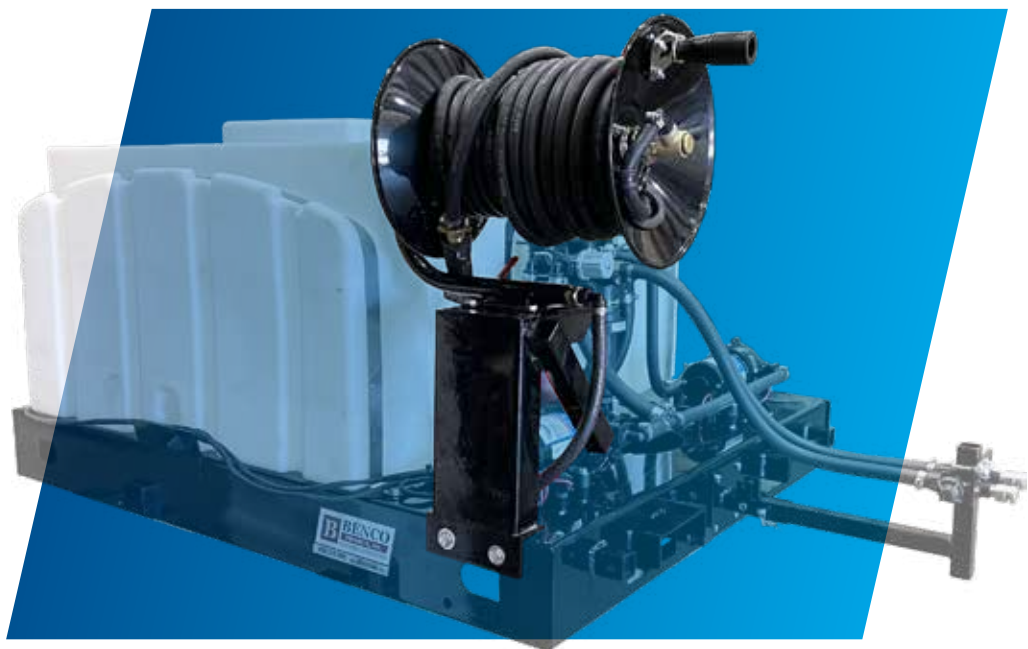




# **INSTALLING THE HOSE REEL & SPRAY WAND**



## **INSTALLATION MANUAL**

Kit Part Number 214-04-HRV & 214-04-HRT

### **FOR SPRAYER MODELS:**

LPSI-B050W, LPSI-B080W, LPSI-B100W  
LPSI-B050Y, LPSI-B080Y, LPSI-B100Y



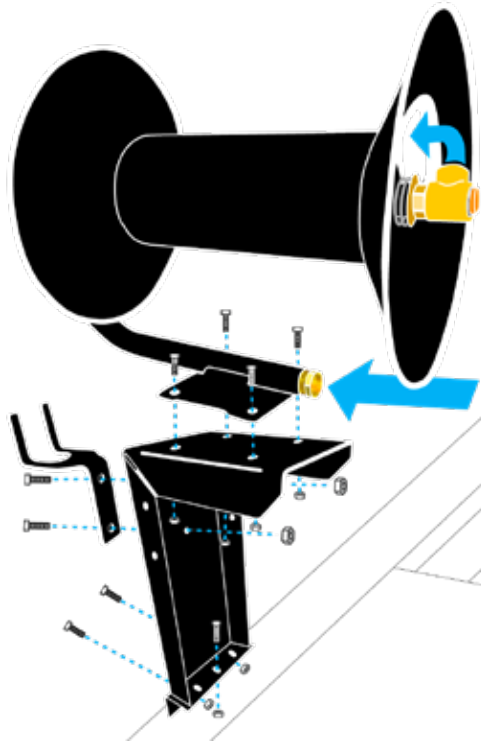
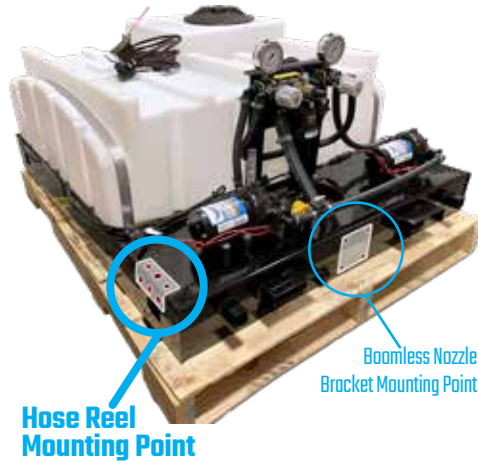
# Installing the Hose Stand or Reel

Your sprayer will likely arrive in a few pieces: the assembled sprayer itself, the hand wand, the hose reel, the boomless nozzle bracket, and the Boominator nozzles. They just need to be bolted to the frame and have the hoses attached.

1. Unbox your hose reel. You should have the hose reel with 53' of hose attached, the riser bracket, the hand wand, the reel handle, 12 bolts, 12 nuts, and 4 hose clamps. Some of this may already be assembled for you.
2. Start by mounting the riser bracket. There are six holes drilled in the left side frame rail, next to the left pump. There are also mounting holes on the right frame rail if that makes more sense for your application, but it is generally mounted on the driver's side.

Bolt the riser bracket to the frame using three bolts. Insert two bolts through the holes on the left side of the bracket and one through the center hole in the top (or vice versa), securing them with nuts inside the sprayer frame. Make sure the riser bracket is squared up and firmly seated, then tighten the nuts to lock the bracket in place.

3. Mount the handle to the hose reel, following the manufacturer's instructions.
4. Set the hose reel on top of the riser bracket, lining up the holes in the mounting plate with the holes on top of the riser bracket. Mount it in whichever orientation feels comfortable for you, but generally the hose spools out toward the rear. Insert bolts through the holes, and attach the nuts. Test the hose reel handle for interference before tightening. Adjust as necessary so the reel spools comfortably.
5. Attach the Spray Gun Holder. The spray gun holder bolts into a set of two holes in the side of the riser bracket. There are a set of holes on all three sides of the riser bracket. Mount the spray gun bracket where you feel it will be most convenient for you.



**Congratulations!** Your hose reel is securely mounted to your sprayer! Next we will hook up the hoses.

# Attaching the Hose



Your reel will likely come with all 53' of hose already mounted to the reel. You will have to cut off about 3' of hose to get from the Pressure Control Center to the reel itself.

1. Unroll a bit of hose and start by attaching the loose end of the hose to the upward pointing hose barb in the middle of the Pressure Control Center (pictured in orange above). Slide the supplied hose clamp on the hose, leaving it loose. Lubricate both the inside of the hose and the hose barb itself with a little water or lubricant and slide the hose on the barb. Slide the hose clamp up so it will clamp down on the hose barb through the hose and tighten it with a phillips screwdriver or nut driver until it is tight.
2. Loosely run the hose to the inlet on the hose reel, located on the lower end of the hose reel's support bracket. Cut the hose to length when you are happy with the way it is routed. A hose barb may already be fitted. Attach the hose to the barb following the same procedure you used before.
3. If not already attached, fit one end of the 50' hose to the outlet hose barb located in the center of the reel itself following the same procedure. Make sure you run the hose through the hole in the side of the hose reel before connecting to the reel's outlet located in the central spindle of the reel itself.
4. Finally, attach the other end of the 50' hose to the spray gun using the above steps to attach the hose to the barb on the hand wand. Coil the hose on the reel and hang the spray gun on the holder.

**CONGRATULATIONS!**

Your hand wand is fully assembled and you are ready to go out and start hand spraying!

# Using the Spray Gun

On a BENCO sprayer, **the hand wand is run by the LEFT pump**. The hand wand will always be active any time the left pump is running.

For maximum pressure, we recommend using the spray gun without running the left spray tip(s). There is a handy ball valve right under the left pressure gauge that will allow you to shut off liquid flow to the left boom nozzles. Turn the valve's handle perpendicular to the valve body to shut off flow to the left rear boom. To resume spraying with the boom, turn the handle parallel to the valve's body.

However, the spray gun will be active any time the left pump is running, so you do NOT need to shut off the left boom to use the hand wand. Your BENCO sprayer is designed so that you can spot spray with the wand while you are spraying with the boom. You just may not have quite as much reach with the spray gun as you are dividing pressure between the two.

You **may notice the pump surging** on some models when in wand-only spraying mode. This is a normal safety feature of the pump. Surging is the result of the pump turning off and on due to the pressure building up and triggering the pressure safety switch on the pump.

To eliminate surging, adjust the pressure using the left throttling valve until the pressure is under 60 PSI and the surging subsides. Adjusting the pressure regulator adjusts the amount of pressurized water being diverted back to the tank. As long as the pressure doesn't exceed 60 PSI, the pump will keep running.

## SG-2200 Spray Gun

There are several professional quality **spray gun options** available for your BENCO Sprayer. Our newest and most popular is the HP adjustable wand. This hand wand can easily reach out 30+ feet and allows you to adjust the spray pattern from mist to stream from the side of the gun as you spray. This allows easy one-handed operation and prevents getting any chemicals on your hands.



## TeeJet H30A Spray Gun

Another popular option is the trusty TeeJet H30A brass spray wand. This is a perennial favorite, featuring a shut-off at the tip to all but eliminate drips. The adjustable tip is included. Just twist tip itself to adjust from stream to mist.



**BENCO has a variety of professional spray guns to meet any need. Please specify which gun you prefer when ordering your sprayer.**



Manufactured by  
**BENCO Products, Inc.**  
27093 Katie Rd. Tea, SD 57064

**605.213.1010**  
[www.BencoAg.com](http://www.BencoAg.com)

Rev 8.24.01